

SAMUEL HEATH

Product Number: V6KA6XXB9

Description: Exposed 1/2" thermostatic shower set - 2 volume controls



Finishes Available



Chrome Plate



Polished Nickel



Non Lacquered Brass



Antique Gold



City Bronze



Country Bronze



Brushed Gold Gloss

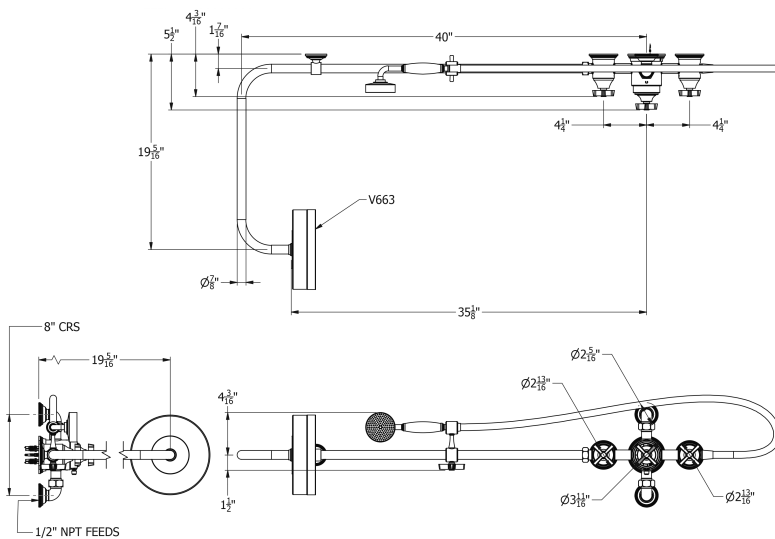


Brushed Gold Matt



Brushed Gold Unlaquered

Specification Drawing



Kit Components



V641-TXB

V654B-A



V663-A



V671-BX

V941



V296

V621-TXB

V623

V640-A

UK Customer Service

Leopold Street
Birmingham
B12 0UJ
Tel: +44 121 766 4200
Email: info@samuel-heath.com

US Customer Service

Federal I.D. No. 58-1504682
Email: usa@samuel-heath.com

Specification Enquiries

Design Centre Chelsea Harbour
1st Floor, North Dome, London
SW10 0XE
Tel: 020 7352 0249
Email: showroom@samuel-heath.com