

SAMUEL HEATH

Product Number: V7KA16XFNP

Description: 3 Hole lavatory filler without pop-up waste, 10 3/16" spout height

Finishes Available



Chrome Plate



Polished Nickel



Stainless Steel with Matt Black



Urban Brass



City Bronze

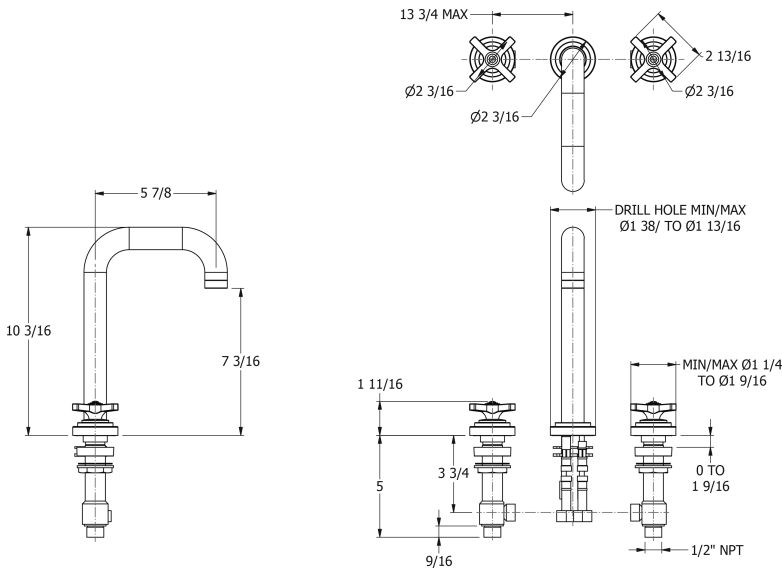


Matt Black Chrome



Urban Brass Matt Lacquered

Specification Drawing



Kit Components



V716-ALL-FNP

V751-XF

UK Customer Service

Leopold Street
Birmingham
B12 0UJ
Tel: +44 121 766 4200
Email: info@samuel-heath.com

US Customer Service

Federal I.D. No. 58-1504682
Email: usa@samuel-heath.com

Specification Enquiries

Design Centre Chelsea Harbour
1st Floor, North Dome, London
SW10 0XE
Tel: 020 7352 0249
Email: showroom@samuel-heath.com