

# Frame, nature's, *imprint.*

design Terzani Lab  
terzani.com



**Product Name**  
Frame  
wall sconce

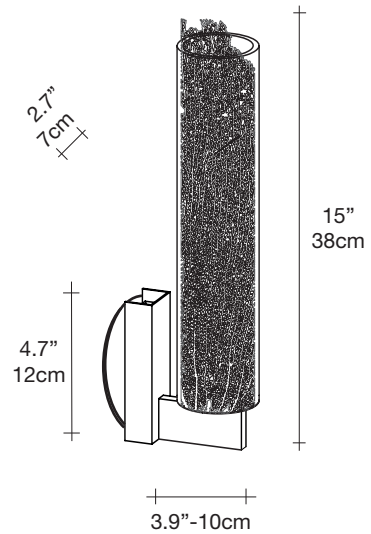
**Materials**  
clear



**Finishes | Code**

-  white | clear  
0Q04A E8 A9
-  coral | clear  
0Q04A H1 A9
-  silver | clear  
0Q04A G7 A9
-  gold plated | clear  
0Q04A L6 A9

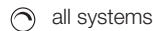
**Body**



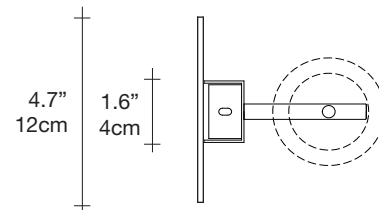
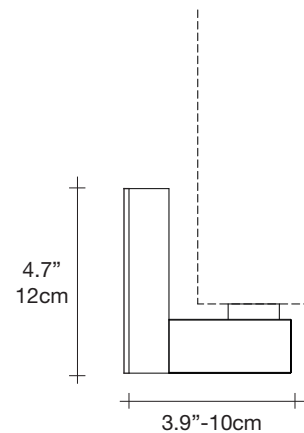
**Light source**  
120V ~ 50/60Hz



dimmable with



**Canopy**



Capturing a moment in time, Frame features a metal coral leaf, enclosed inside a borosilicate glass preserving a delicate imprint of nature. Hidden inside is a single bulb which glows from within. Creating a stirring light that projects a dynamic shadow due to the permeable coral. Frame is available in white, red, gold plated or silver plated. Design Terzani Lab.