

Stream, iridescent *light.*

design Christian Lava
terzani.com

TERZANI
LA LUCE PENSATA



Product Name




Stream
wall sconce

Materials

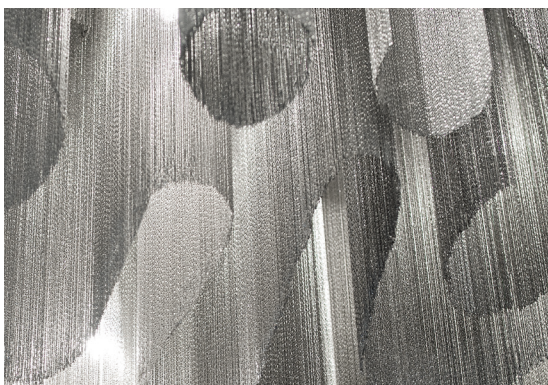
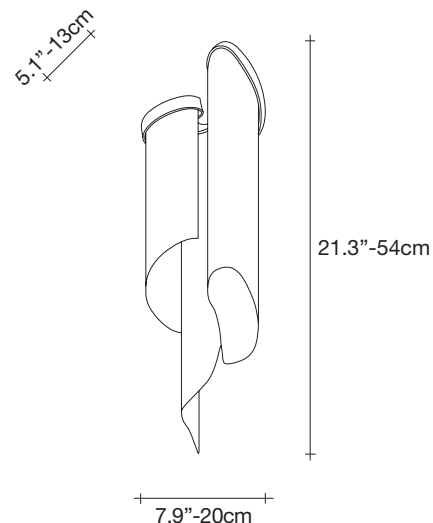
metal



Finishes | Code

-  nickel
OJ60A E7 C8
-  black nickel
OJ60A E9 C8
-  gold plated
OJ60A L6 C8

Body




Light source

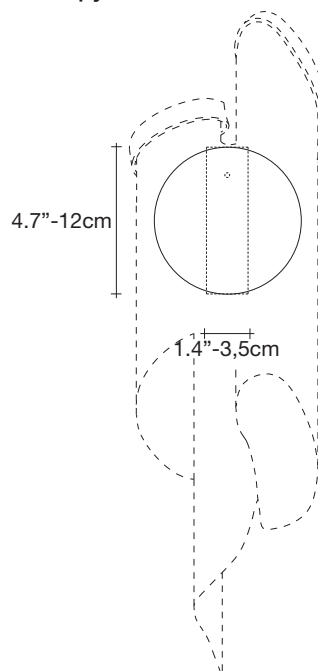
120V ~ 50/60Hz

 LED
2 x 5.5W E12 dimmable

dimmable with

 all systems

Canopy



A stunning design from Christian Lava, Stream is an impressive presence in any room. Stream's design exploits the physical characteristics of the materials used to envelop a room in a unique, immersive light. Here, over 7 kilometers of metal chain appear to flow down from the undulating, nickel plated frame. These cascading tiers project a streaking, yet tranquil, shadow throughout the room. Design Christian Lava.