

## Keane® Widespread Lavatory Faucet

### FEATURES

- WaterSense® certified low-flow 1.2 gpm (4.5 lpm) faucet
- Lever handles
- Brass construction
- Ceramic disk valve cartridges
- Accommodates 6"-12" spread
- Metal pop-up drain assembly included

### COLORS/FINISHES

- #CP Polished Chrome
- #BN Brushed Nickel



### PRODUCT SPECIFICATION

Product shall have a maximum flow rate of 1.2 gpm (4.5 lpm). Product shall have lever handles. Product shall have a brass construction. Product shall have a ceramic disk valve cartridges. Product shall accommodate 6" -12" spread. Product shall include metal pop-up drain assembly. Product shall be TOTO Model TL211DD12R#\_\_\_\_\_.

### CODES/STANDARDS

- Meets or exceeds ASME A112.18.1/CSA B125.1, NSF/ANSI/CAN 61-9, NSF/ANSI/CAN 372
- Certifications: IAPMO(cUPC), EPA WaterSense, State of Massachusetts and others
- Code Compliance: UPC, IPC, NSPC, NPC Canada, CEC, DoE, California Green Building Code, City of Los Angeles Water Efficiency Ordinance, City of New York and others
- Complies with federal and state requirements for low-lead legislation
- ADA compliant
- Complies with CA Prop 65 warning requirements
- Meets or exceeds California AB100 Law that requires lead content less than 1ppb

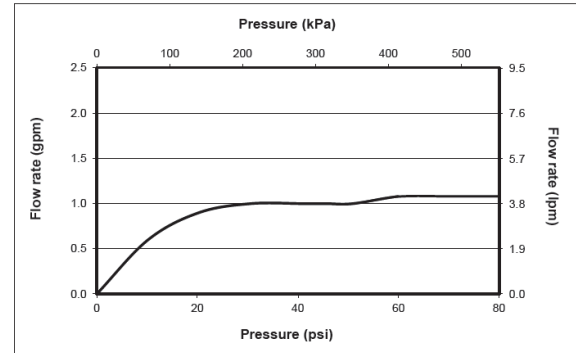


# TL211DD12R

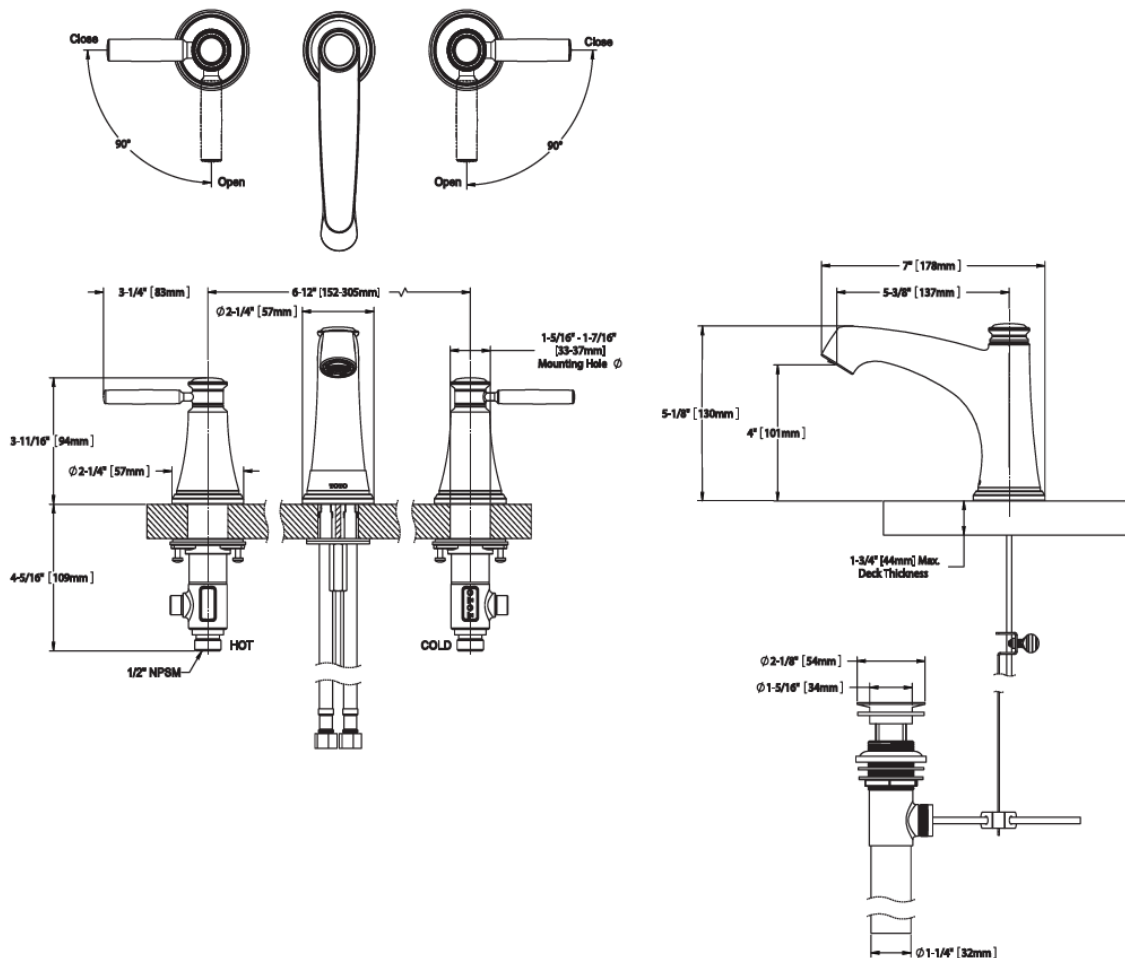
## Keane® Widespread Lavatory Faucet

### SPECIFICATIONS

Material	Brass
Maximum Flow Rate	1.2 gpm (4.5 lpm)
Warranty	Lifetime Limited Warranty (Residential Use) One Year (Commercial Use)
Shipping Weight	8.6 lbs
Shipping Dimensions	13-1/2" L x 7-1/2" W x 4-3/4" H



### DIMENSIONS



**TOTO®**

*These dimensions and specifications are subject to change without notice*