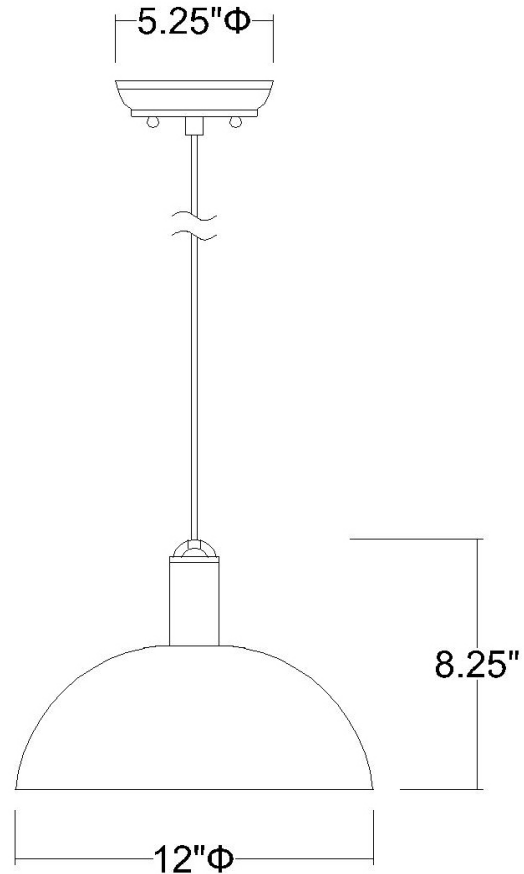
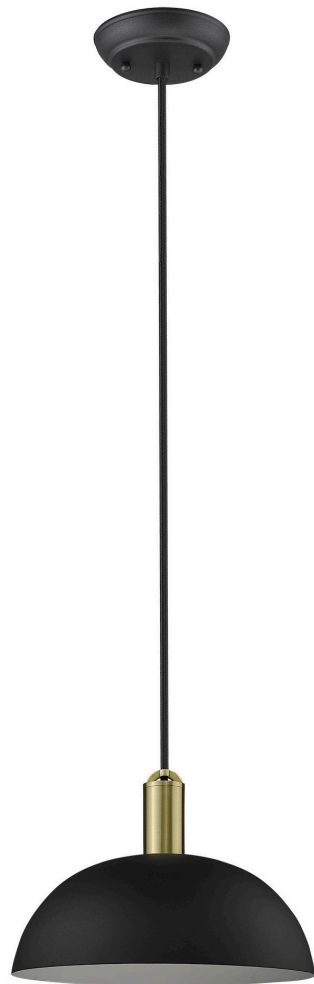


# TP30100BK

## INGO 1-LIGHT PENDANT



<b>Description:</b>	Ingo 1-Light Pendant
<b>Finish:</b>	Matte Black
<b>Dimensions:</b>	12" Dia. x 8-1/4" H
<b>Bulbs:</b>	1-60W Med.
<b>Installed Weight:</b>	3.35 lbs.
<b>Certification:</b>	ETL / dry location

<b>Material:</b>	Steel
<b>Shades:</b>	Steel
<b>Glass:</b>	NA
<b>Canopy Dimensions:</b>	5-1/4" Dia.
<b>Chain/Wire:</b>	12' Wire
<b>Additional Finishes:</b>	NA