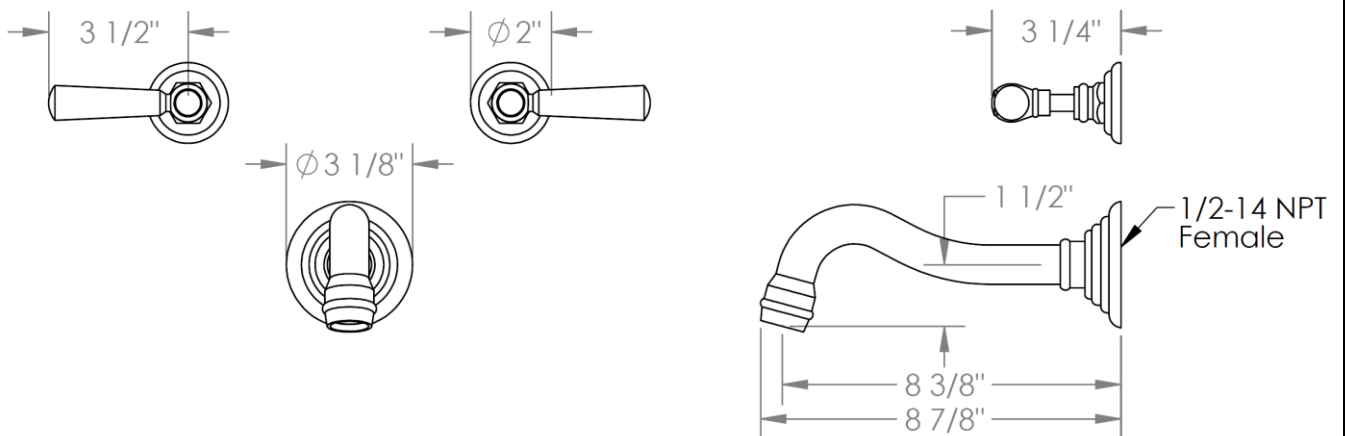


**206-5-**

**Wall Mounted 3 Hole Bath Set**

Requires SS-506 or SS-THV2.2-26C concealed rough

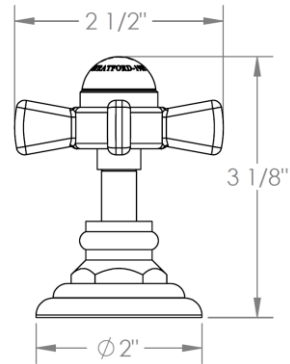
Note: Some building codes may require a remote pressure balance valve, such as the SS-PB50.



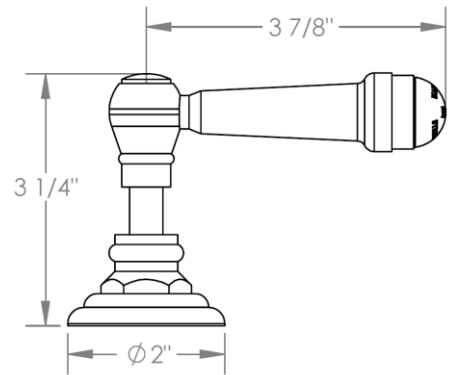
Meets the applicable requirements of ASME A112.18.1-2005/CSA B125.1-05, entitled "Plumbing Supply Fittings"

# HANDLE TRIM OPTIONS

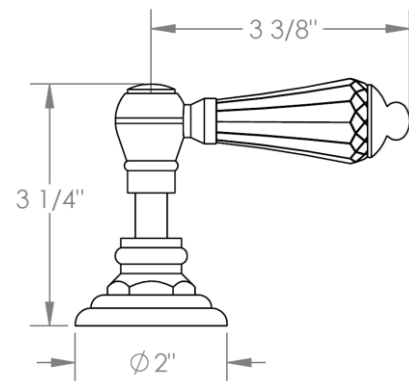
S1 - PRESTON



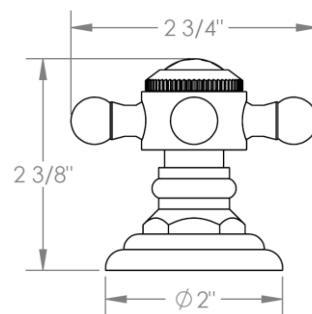
S2 - WALTHAM



SWA - DARIEN



V - WALES



S1A – NOTTINGHAM

