



On Sale

BBE 02

BE COLLECTION

Design Patrick Messier

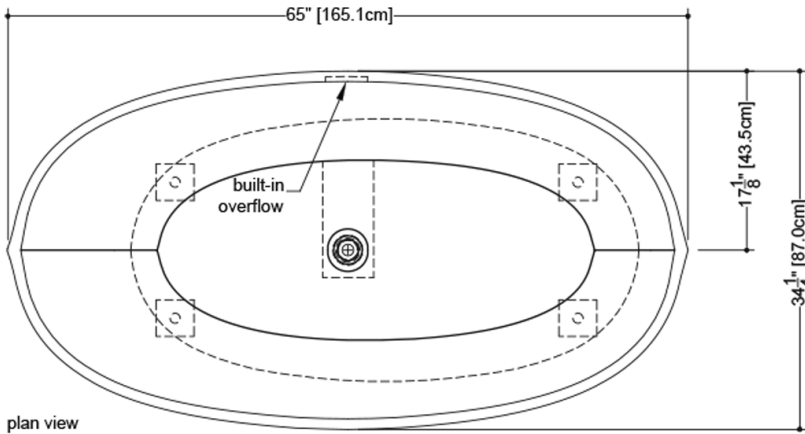


FEATURES

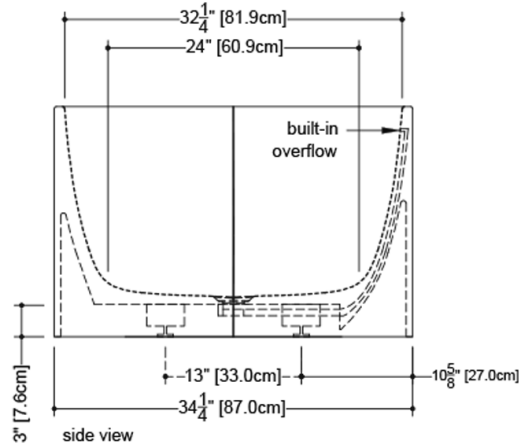
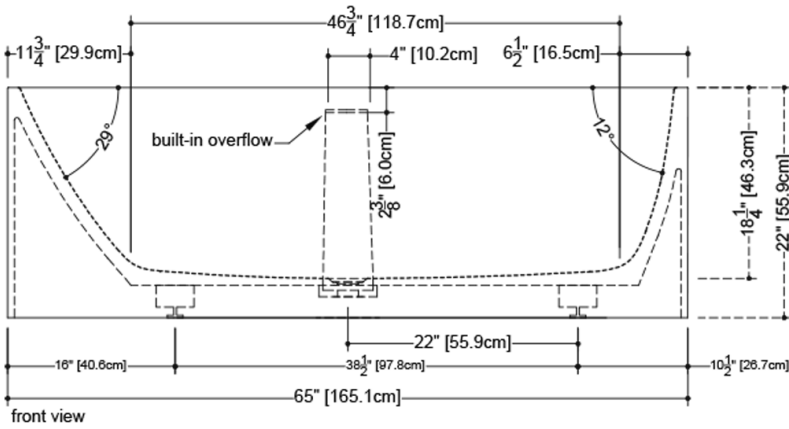
- Handcrafted in Montreal, Canada
- Two back rest inclines: seated and reclined.
- Integrated overflow
- Soft toe touch drain
- Plug & Bathe drain connection for quick install
- Wood bridge in Wenge shade included

TECHNICAL DETAILS

- **Width:** 34"
- **Length:** 65"
- **Height:** 22"
- **Weight:** 243 lbs / 110 kg



- WETSTYLE Plug & Bathe™** overflow and drain connection system includes:
- Soft-touch pop-up drain, for built-in overflow. Fits both 1-1/2" ABS drain waste and 1-1/2" tubular brass
 - 1-1/2" ABS Direct vertical drain waste fitting (copper/brass option also available)
 - 1-1/2" ABS 90° Elbow drain waste fitting (copper/brass option also available)



BBE02

WETSTYLE cannot be held responsible for any technical errors and reserves the right to make revisions without notice. Approximate measurement. The manufacturer accepts 1/4" (6.35mm) variance.

AVAILABLE CONFIGURATIONS



BBE02-L -
Freestanding Left



BBE02-R -
Feestanding Right

OPTIONS

Model

- BBE02-L - Freestanding Left
- BBE02-R - Feestanding Right

Drain Overflow Trim Finish

- Brushed Nickel Drain - No Trim Overflow (#BNNT)
- Brushed Nickel Drain and Overflow (#BN)
- Matte Black Drain - No Trim Overflow (#MBNT)
- Matte Black Drain and Overflow (#MB)
- Polished Chrome Drain - No Trim Overflow (#PCNT)
- Polished Chrome Drain and Overflow (#PC)
- Satin Brass Drain - No Trim Overflow (#SBNT)
- Satin Brass Drain and Overflow (#SB)

WETMAR BiO Finish

- White Matte (#MA)
- White True High Gloss (#GA)

Plumbing Connection

- Copper/Brass Connection - local code dependant (#COP)
- Standard ABS Connection

CODES/STANDARDS APPLICABLES

IAPMO-ANSI Z124.1
IAPMO-ANSI Z124.3
CSA B 45.0
CSA B 45.4
Mass Board Approved

FAUCET AREA RECOMMENDED

Wall-mounted or floor-mounted