

Element Raffiné

Wall-mounted vanity series **ELR 24WM** – 24" length

inch 20 depth x 24 length x 19 ¾ mm 508 x 610 x 502

Features

- All natural wood veneer
- AWI rated level 5 marine grade finish for moisture resistance and durability (industry's highest finishing class)
- Integrated hand pull and finished interior drawers (Fig. 1)
- Inner pull-out drawer included on all models (Fig. 2)
- Bottom drawer with horse shoe cut drawer for additional storage space
- Special wall preparation recommendations the distance between studs should not exceed 16". Each stud should be reinforced vertically by 2"x 3" wooden studs and horizontally with 2"x 6" wooden studs at a height of 30" all along the width of the vanity.

Finishes and colors

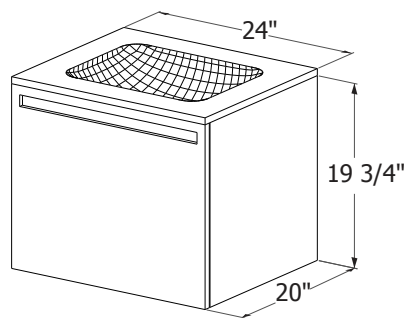
- oak - natural / wenge / white / black
stone harbour grey / coffee bean / smoked
- walnut - natural / natural no calico / chocolate
- premium - eucalyptus / mozambique
- oak plank effect - mocha / charcoal
- matte lacquer - white / black / stone harbour grey

Integrated countertop possibility (sold separately)

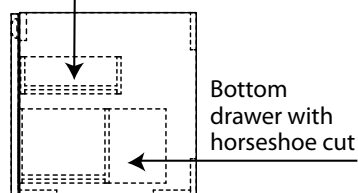
Element Collection Model



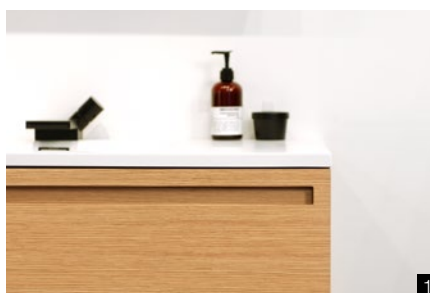
VELXS 24



Inner pull-out drawer



Internal side view



WETSTYLE cannot be held responsible for any technical errors and reserves the right to make revisions without notice.

Approximate measurement. The manufacturer accept ¼" (6.35mm) variance.

www.WETSTYLE.COM - Montreal - Canada
Tel. 1 888.536.9001 - service@wetstyle.com

WET
STYLE



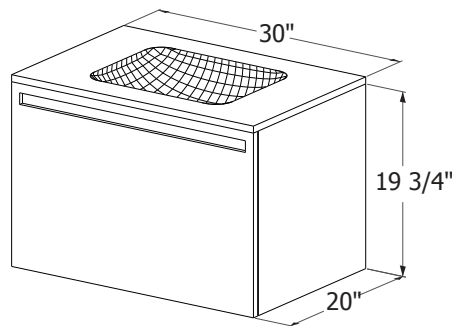
Element Raffiné

Wall-mounted vanity series **ELR 30WM** – 30" length

inch 20 depth x 30 length x 19 3/4 height mm 508 x 762 x 502

Features

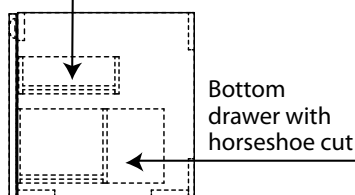
- All natural wood veneer
- AWI rated level 5 marine grade finish for moisture resistance and durability (industry's highest finishing class)
- Integrated hand pull and finished interior drawers (Fig. 1)
- Inner pull-out drawer included on all models (Fig. 2)
- Bottom drawer with horse shoe cut drawer for additional storage space
- Special wall preparation recommendations the distance between studs should not exceed 16". Each stud should be reinforced vertically by 2"x 3" wooden studs and horizontally with 2"x 6" wooden studs at a height of 30" all along the width of the vanity.



Finishes and colors

- oak - natural / wenge / white / black
stone harbour grey / coffee bean / smoked
- walnut - natural / natural no calico / chocolate
- premium - eucalyptus / mozambique
- oak plank effect - mocha / charcoal
- matte lacquer - white / black / stone harbour grey

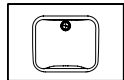
Inner pull-out drawer



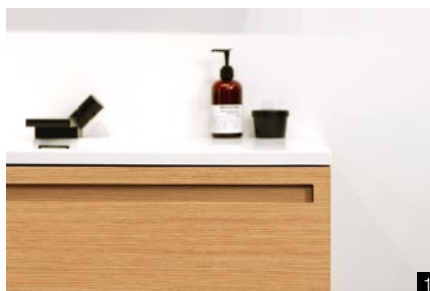
Internal side view

Integrated countertop possibility (sold separately)

Element Collection Model



VELXS 30



WETSTYLE cannot be held responsible for any technical errors and reserves the right to make revisions without notice.

Approximate measurement. The manufacturer accept 1/4" (6.35mm) variance.

www.WETSTYLE.COM - Montreal - Canada
Tel. 1 888.536.9001 - service@wetstyle.com





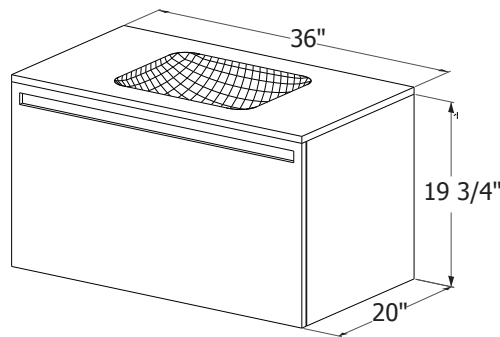
Element Raffiné

Wall-mounted vanity series **ELR 36WM** – 36" length

inch 20 depth x 36 length x 19 3/4 height mm 508 x 914 x 502

Features

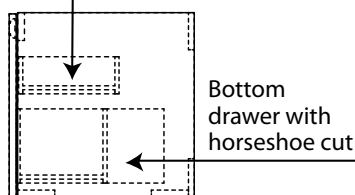
- All natural wood veneer
- AWI rated level 5 marine grade finish for moisture resistance and durability (industry's highest finishing class)
- Integrated hand pull and finished interior drawers (Fig. 1)
- Inner pull-out drawer included on all models (Fig. 2)
- Bottom drawer with horse shoe cut drawer for additional storage space
- Special wall preparation recommendations the distance between studs should not exceed 16". Each stud should be reinforced vertically by 2"x 3" wooden studs and horizontally with 2"x 6" wooden studs at a height of 30" all along the width of the vanity.



Finishes and colors

- oak - natural / wenge / white / black
stone harbour grey / coffee bean / smoked
- walnut - natural / natural no calico / chocolate
- premium - eucalyptus / mozambique
- oak plank effect - mocha / charcoal
- matte lacquer - white / black / stone harbour grey

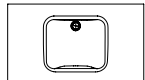
Inner pull-out drawer



Internal side view

Integrated countertop possibility (sold separately)

Element Collection Model



VELXS 36



WETSTYLE cannot be held responsible for any technical errors and reserves the right to make revisions without notice.

Approximate measurement. The manufacturer accept 1/4" (6.35mm) variance.

www.WETSTYLE.COM - Montreal - Canada
Tel. 1 888.536.9001 - service@wetstyle.com



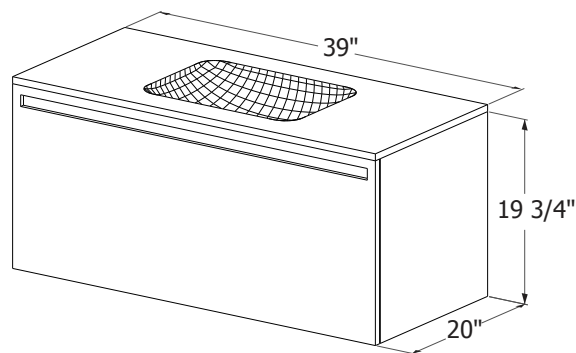
Element Raffiné

Wall-mounted vanity series **ELR 39WM** – 39" length

inch 20 depth x 39 length x 19 3/4 height mm 508 x 991 x 502

Features

- All natural wood veneer
- AWI rated level 5 marine grade finish for moisture resistance and durability (industry's highest finishing class)
- Integrated hand pull and finished interior drawers (Fig. 1)
- Inner pull-out drawer included on all models (Fig. 2)
- Bottom drawer with horse shoe cut drawer for additional storage space
- Special wall preparation recommendations the distance between studs should not exceed 16". Each stud should be reinforced vertically by 2"x 3" wooden studs and horizontally with 2"x 6" wooden studs at a height of 30" all along the width of the vanity.

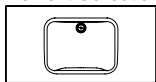


Finishes and colors

- oak - natural / wenge / white / black
stone harbour grey / coffee bean / smoked
- walnut - natural / natural no calico / chocolate
- premium - eucalyptus / mozambique
- oak plank effect - mocha / charcoal
- matte lacquer - white / black / stone harbour grey

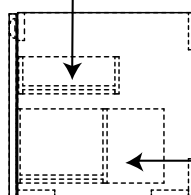
Integrated countertop possibility (sold separately)

Element Collection Model



VELXS 39

Inner pull-out drawer



Bottom
drawer with
horseshoe cut

Internal side view



WETSTYLE cannot be held responsible for any technical errors and reserves the right to make revisions without notice.

Approximate measurement. The manufacturer accept 1/4" (6.35mm) variance.

www.WETSTYLE.COM - Montreal - Canada
Tel. 1 888.536.9001 - service@wetstyle.com

WET
STYLE



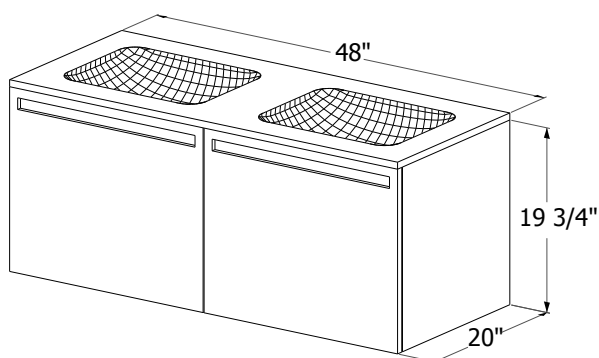
Element Raffiné

Wall-mounted vanity series **ELR 48WM** – 48" length

inch 20 depth x 48 length x 19 3/4 height mm 508 x 1219 x 502

Features

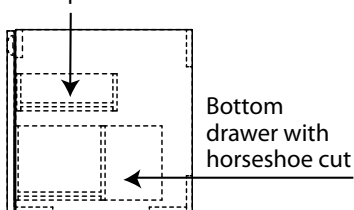
- All natural wood veneer
- AWI rated level 5 marine grade finish for moisture resistance and durability (industry's highest finishing class)
- Integrated hand pull and finished interior drawers (Fig. 1)
- Inner pull-out drawer included on all models (Fig. 2)
- Bottom drawer with horse shoe cut drawer for additional storage space
- Special wall preparation recommendations the distance between studs should not exceed 16". Each stud should be reinforced vertically by 2"x 3" wooden studs and horizontally with 2"x 6" wooden studs at a height of 30" all along the width of the vanity.



Finishes and colors

- oak - natural / wenge / white / black
stone harbour grey / coffee bean / smoked
- walnut - natural / natural no calico / chocolate
- premium - eucalyptus / mozambique
- oak plank effect - mocha / charcoal
- matte lacquer - white / black / stone harbour grey

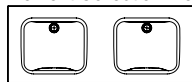
Inner pull-out drawer



Internal side view

Integrated countertop possibility (sold separately)

Element Collection Model



VELXS 48



WETSTYLE cannot be held responsible for any technical errors and reserves the right to make revisions without notice.

Approximate measurement. The manufacturer accept 1/4" (6.35mm) variance.

www.WETSTYLE.COM - Montreal - Canada
Tel. 1 888.536.9001 - service@wetstyle.com





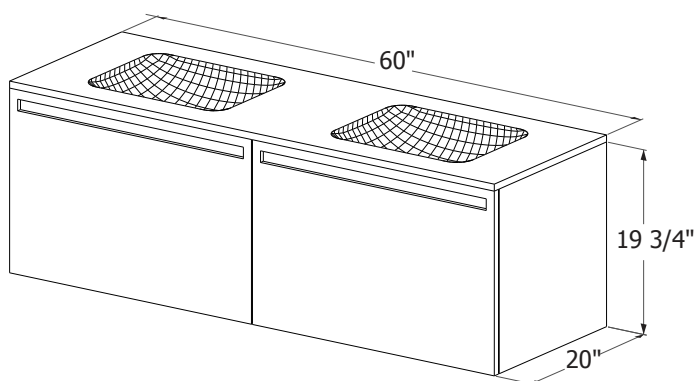
Element Raffiné

Wall-mounted vanity series **ELR 60WM** – 60" length

inch 20 depth x 60 length x 19 3/4 height mm 508 x 1524 x 502

Features

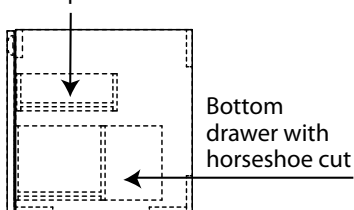
- All natural wood veneer
- AWI rated level 5 marine grade finish for moisture resistance and durability (industry's highest finishing class)
- Integrated hand pull and finished interior drawers (Fig. 1)
- Inner pull-out drawer included on all models (Fig. 2)
- Bottom drawer with horse shoe cut drawer for additional storage space
- Special wall preparation recommendations the distance between studs should not exceed 16". Each stud should be reinforced vertically by 2"x 3" wooden studs and horizontally with 2"x 6" wooden studs at a height of 30" all along the width of the vanity.



Finishes and colors

- oak - natural / wenge / white / black
stone harbour grey / coffee bean / smoked
- walnut - natural / natural no calico / chocolate
- premium - eucalyptus / mozambique
- oak plank effect - mocha / charcoal
- matte lacquer - white / black / stone harbour grey

Inner pull-out drawer



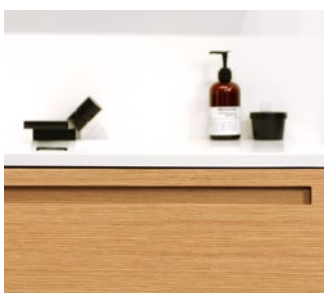
Internal side view

Integrated countertop possibility (sold separately)

Element Collection Model



VELXS 60



WETSTYLE cannot be held responsible for any technical errors and reserves the right to make revisions without notice.

Approximate measurement. The manufacturer accept 1/4" (6.35mm) variance.

www.WETSTYLE.COM - Montreal - Canada
Tel. 1 888.536.9001 - service@wetstyle.com





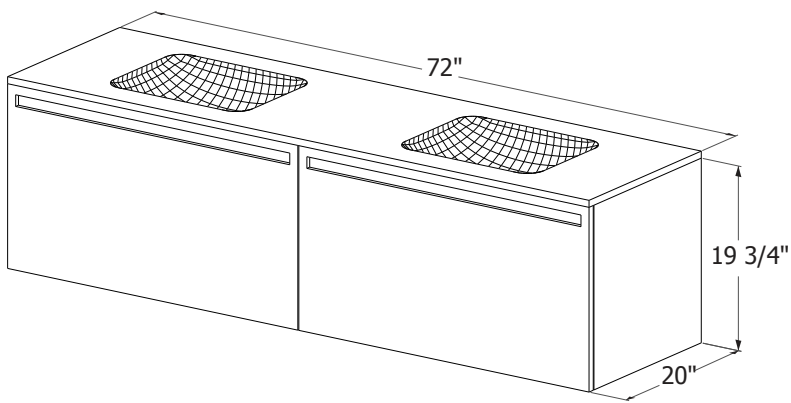
Element Raffiné

Wall-mounted vanity series **ELR 72WM** – 72" length

inch 20 depth x 72 length x 19 3/4 height mm 508 x 1829 x 502

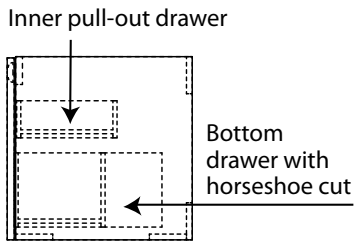
Features

- All natural wood veneer
- AWI rated level 5 marine grade finish for moisture resistance and durability (industry's highest finishing class)
- Integrated hand pull and finished interior drawers (Fig. 1)
- Inner pull-out drawer included on all models (Fig. 2)
- Bottom drawer with horse shoe cut drawer for additional storage space
- Special wall preparation recommendations the distance between studs should not exceed 16". Each stud should be reinforced vertically by 2"x 3" wooden studs and horizontally with 2"x 6" wooden studs at a height of 30" all along the width of the vanity.



Finishes and colors

- oak - natural / wenge / white / black
stone harbour grey / coffee bean / smoked
- walnut - natural / natural no calico / chocolate
- premium - eucalyptus / mozambique
- oak plank effect - mocha / charcoal
- matte lacquer - white / black / stone harbour grey



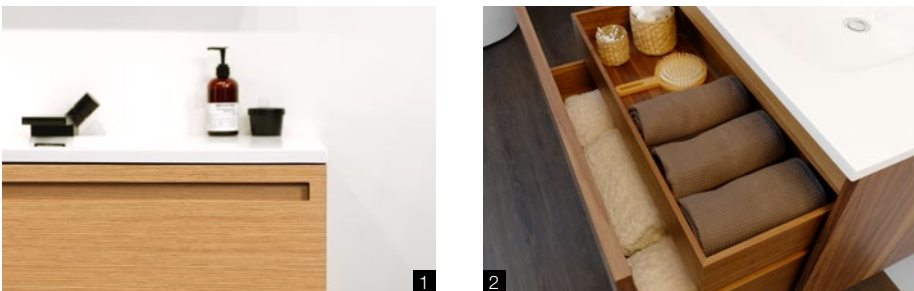
Internal side view

Integrated countertop possibility (sold separately)

Element Collection Model



VELXS 72



WETSTYLE cannot be held responsible for any technical errors and reserves the right to make revisions without notice.
Approximate measurement. The manufacturer accept 1/4" (6.35mm) variance.