

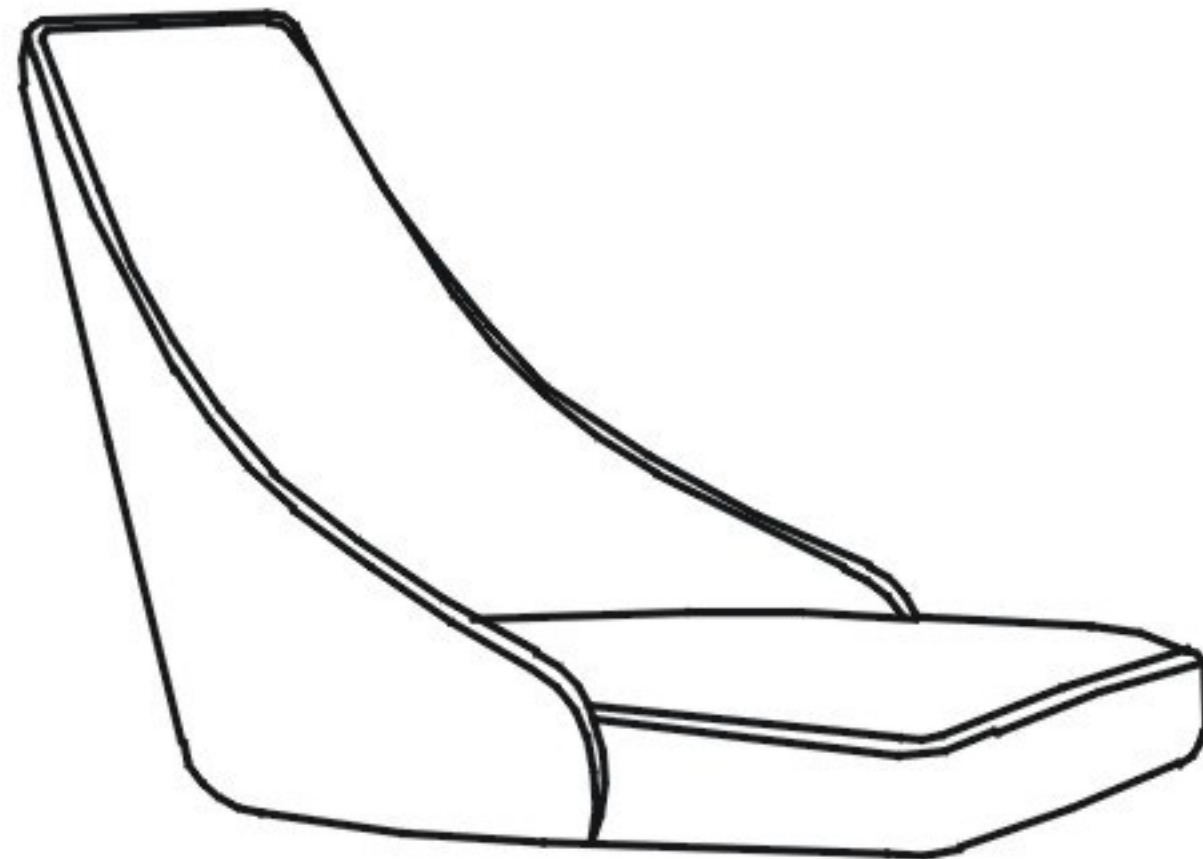


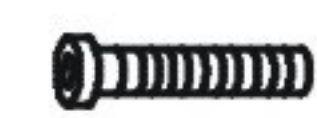


# ITEM NAME /NOM D' ITEM:MOON CHAIR

ITEM # /NO. ITEM:100277 (BEIGE)

100278 (DARK GRAY)

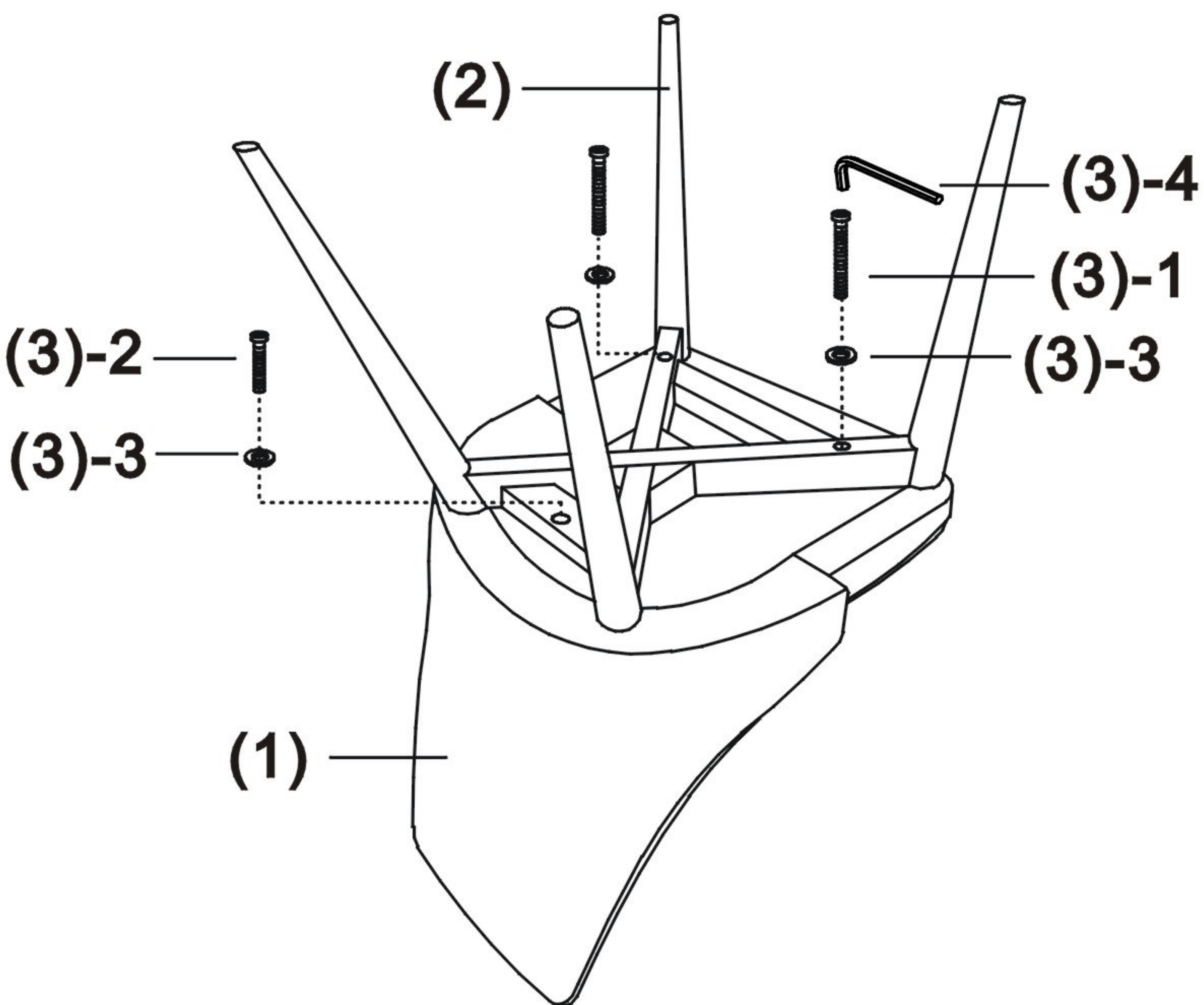
Enquiry:parts@zuomod.com

## PART LIST/Liste des pièces

(1)	(2)	(3)
 X1	 X1	<ol style="list-style-type: none"><li> X2 M6*65mm</li><li> X1 M6*45mm</li><li> X3</li><li> X1</li></ol>

## INSTRUCTION

**A**



**B**

