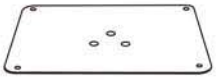


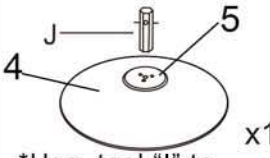


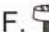





ITEM NAME/NOM D'ITEM: ALTO BISTRO TABLE
ITEM #/NO. ITEM: 101569/101570

PARTS LIST/LISTE DES PIÈCES

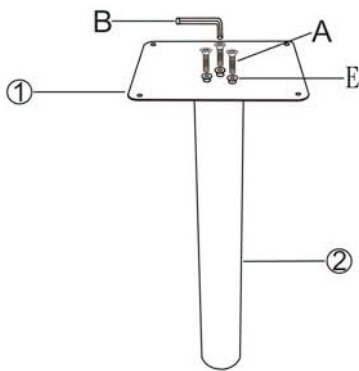
| (1) | (2) | (3) | (4) | (5) |
|--|--|--|--|--|
|  x1 |  x1 |  x1 |  x1 *Use tool "J" to separate (5) from (4) before assembly. |  x1 |

(6)

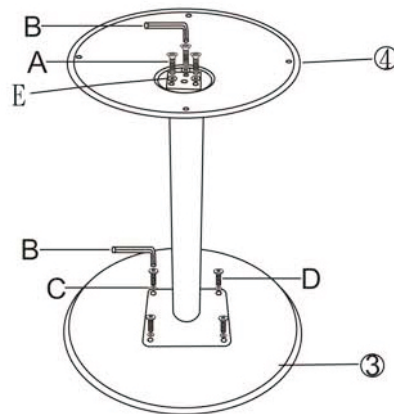
| | | | |
|---|---|---|--|
| A.  M8 x 30mm x6 | B.  5mm x1 | C.  Ø16mm x4 | D.  M8 x 16mm x4 |
| E.  Ø18mm x6 | F.  Ø8mm x4 | G.  Ø24mm x1 | H.  M12 x 60mm x1 |
| I.  Ø12mm x1 | J.  Ø14mm x1 | | |

ASSEMBLY INSTRUCTIONS/INSTRUCTIONS D'ASSEMBLAGE

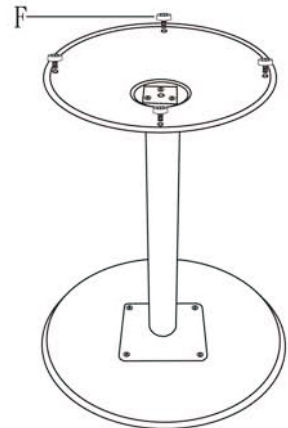
I.



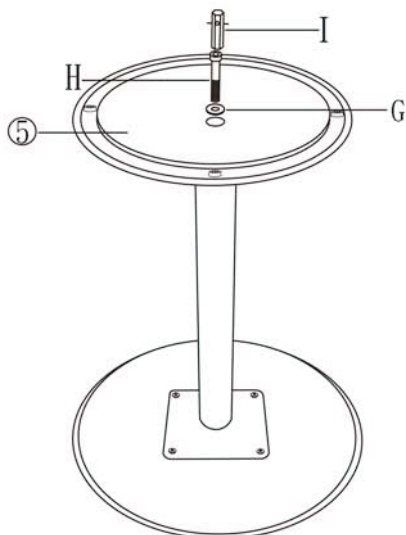
II.



III.



IV.



V.

