

# ITEM NAME /NOM D' ITEM: SODA BARSTOOL

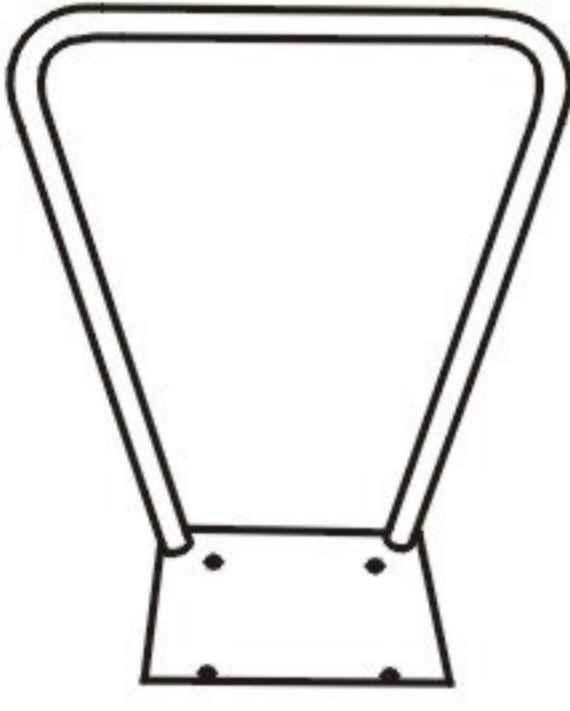
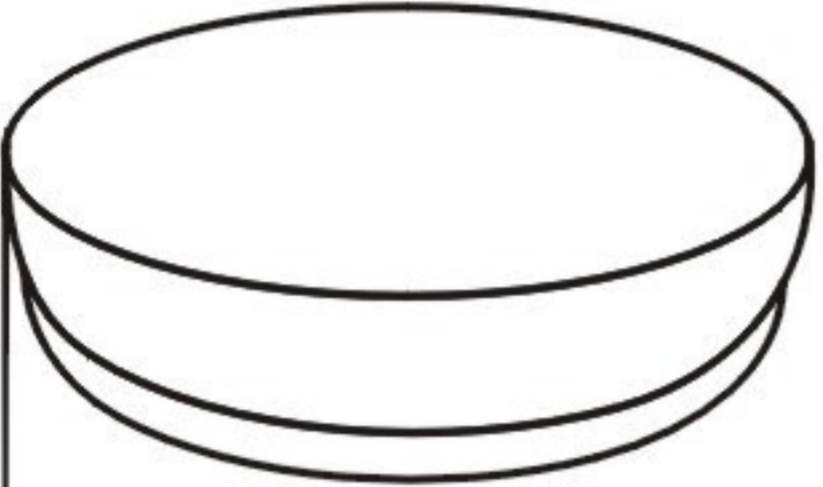
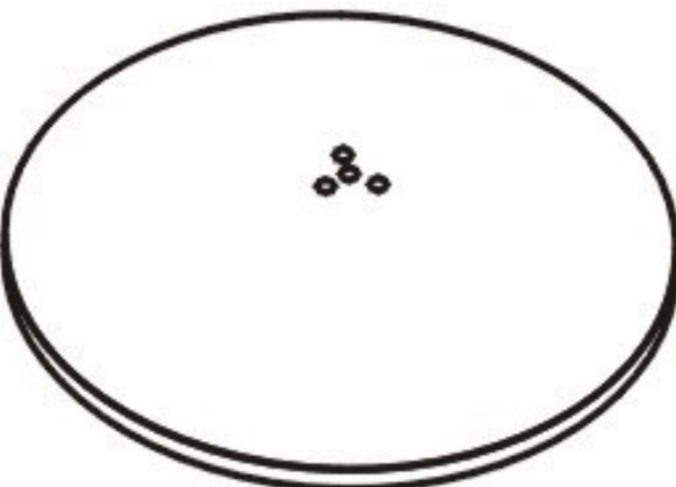
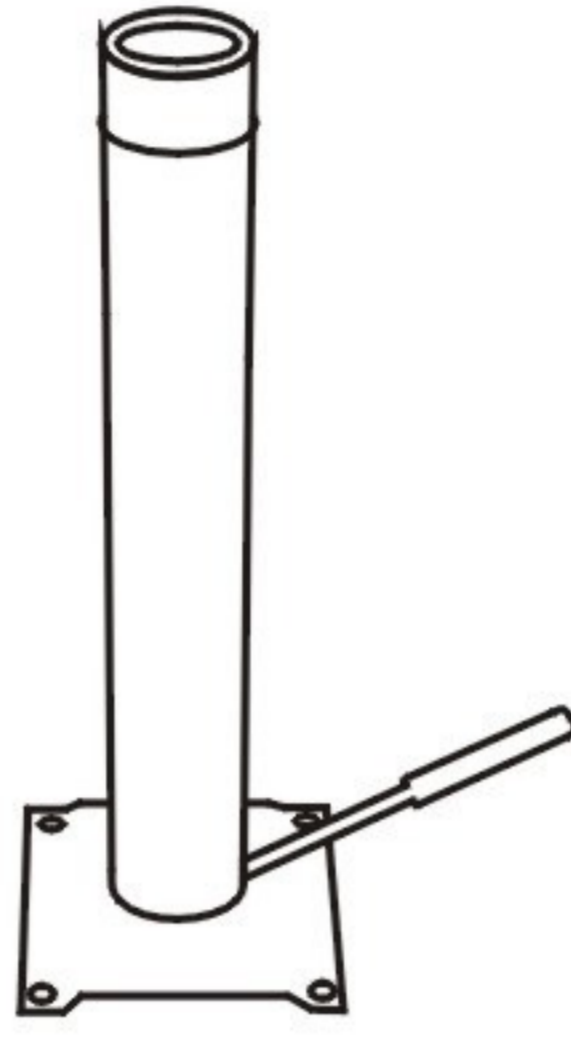





ITEM # /NO. ITEM: 300250 (BLACK/NOIR)

300251 (WHITE/BLANC)

300252 (BROWN/BRUN)

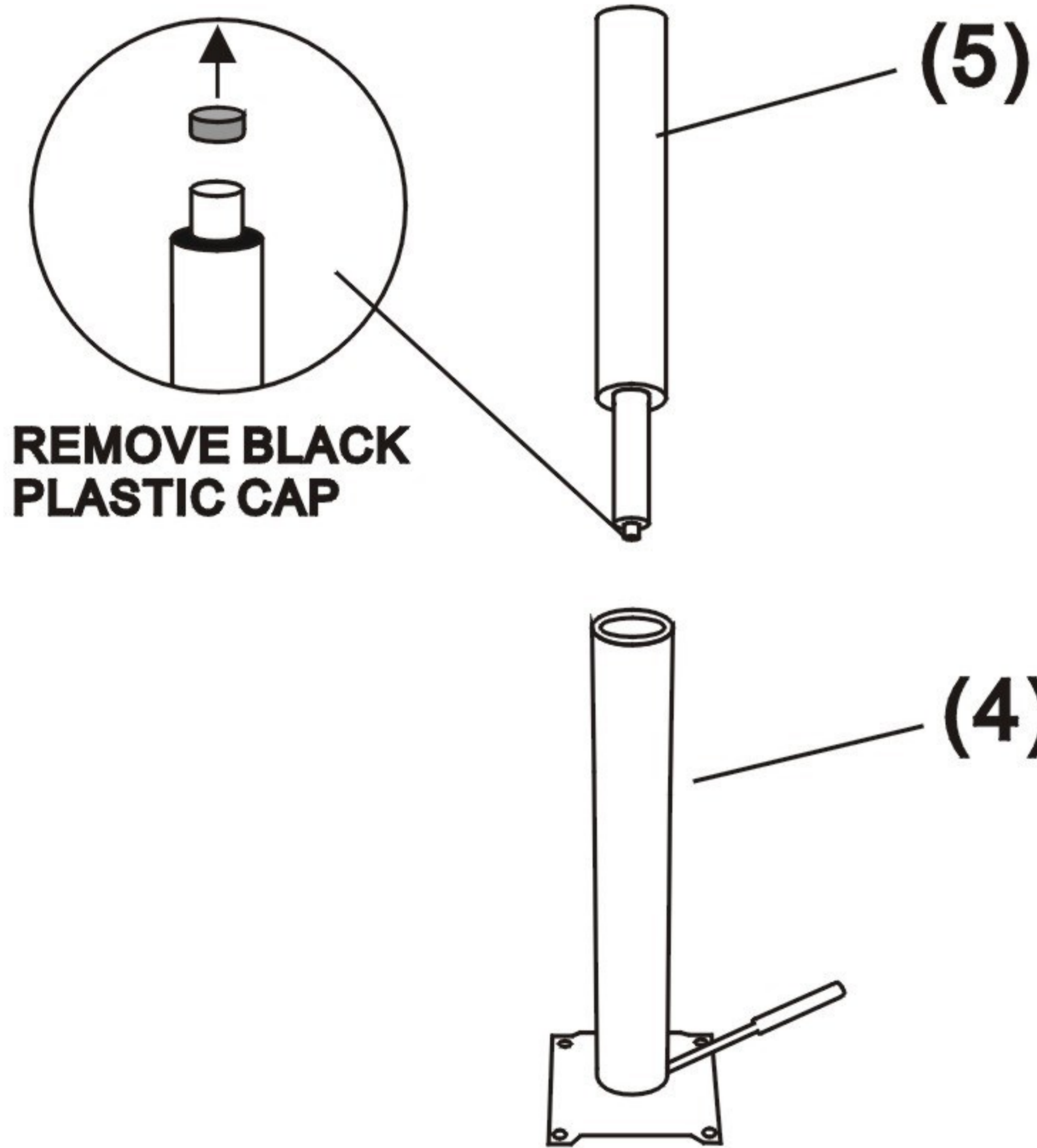
Enquiry: parts@zuomod.com

## PART LIST/Liste des pièces

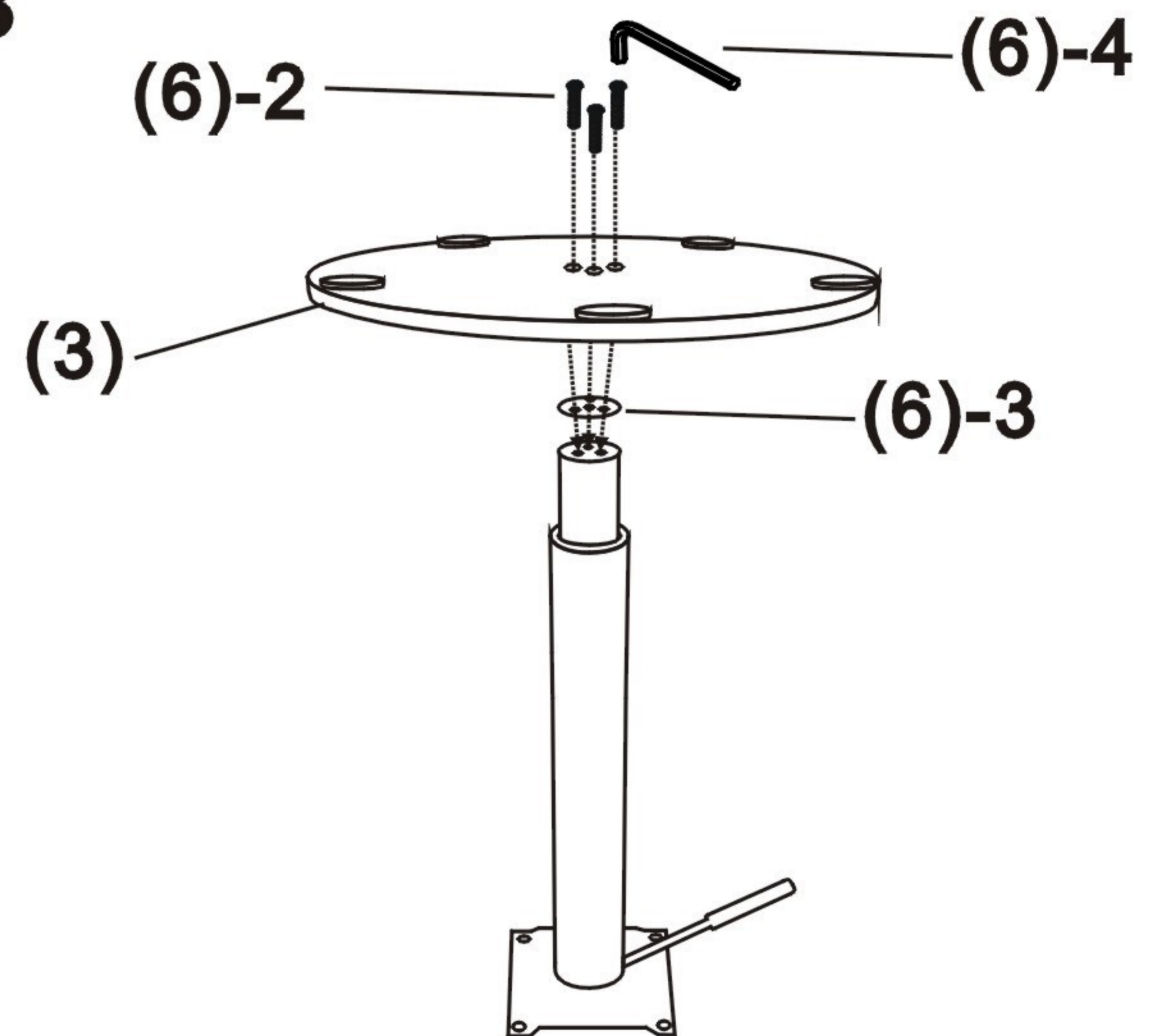
(1)	(2)	(3)	(4)	(5)	(6)
					<p>1.  X4 6*16</p> <p>2.  X3 8*30</p> <p>3.  X1</p> <p>4.  X1</p>
X1	X1	X1	X1	X1	

## INSTRUCTION

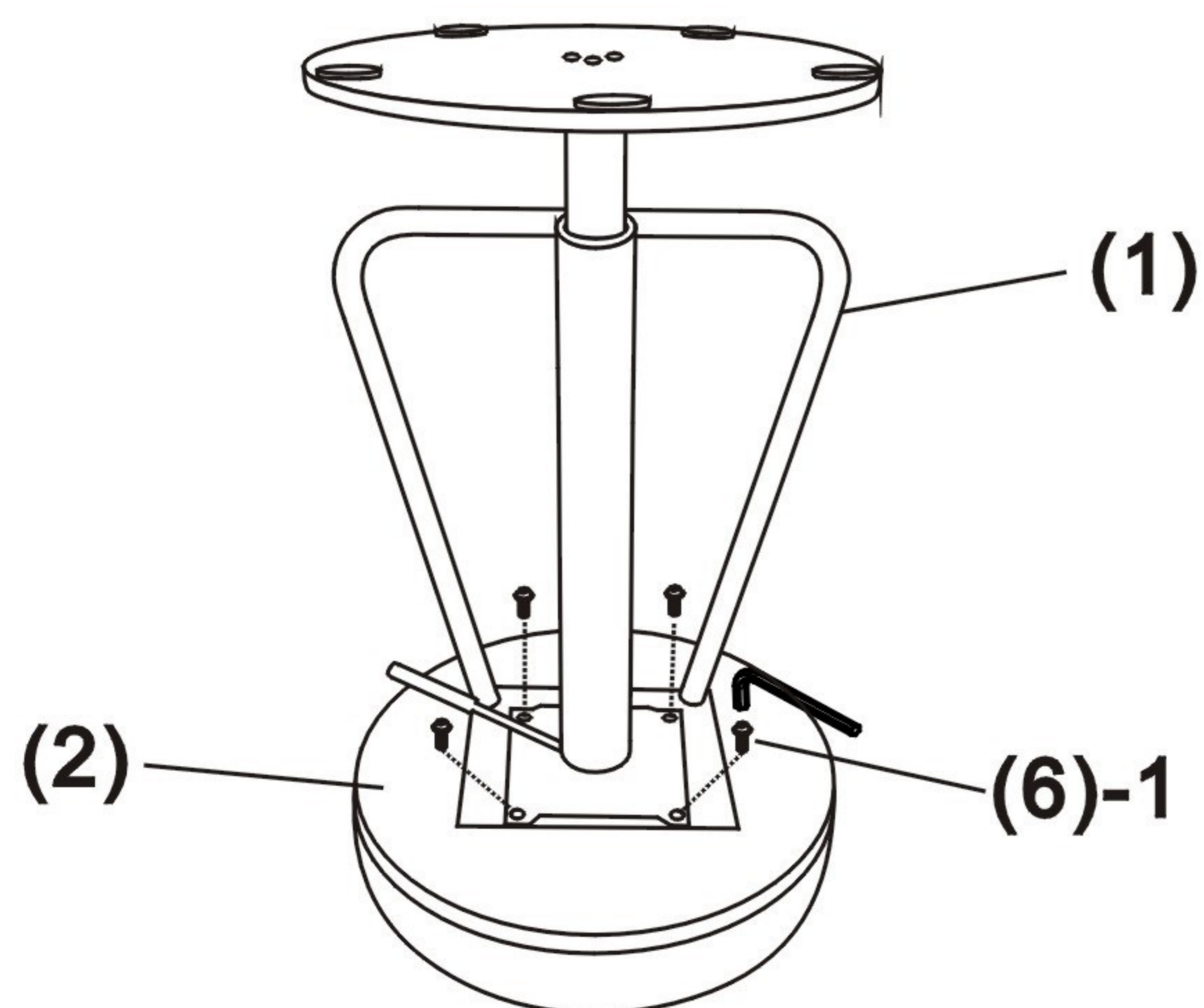
**A**



**B**



**C**



**D**

