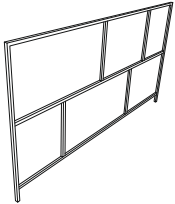
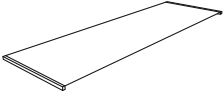



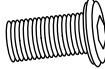




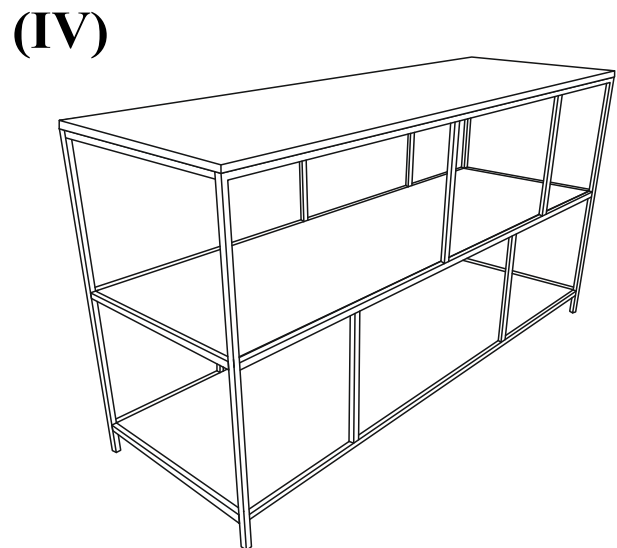
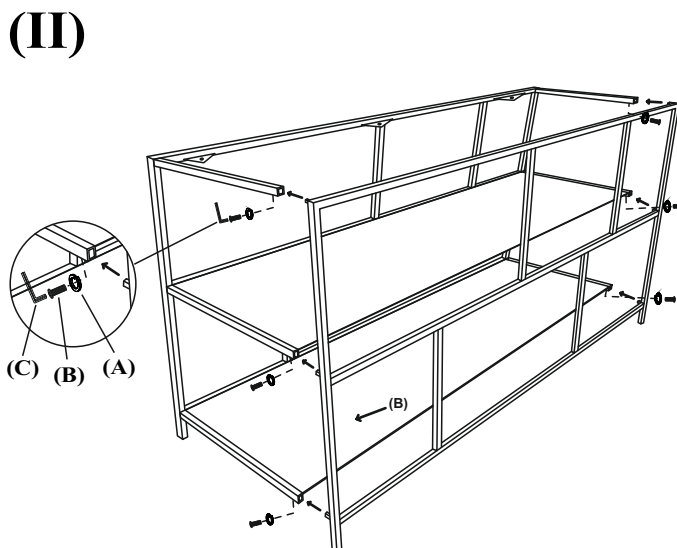
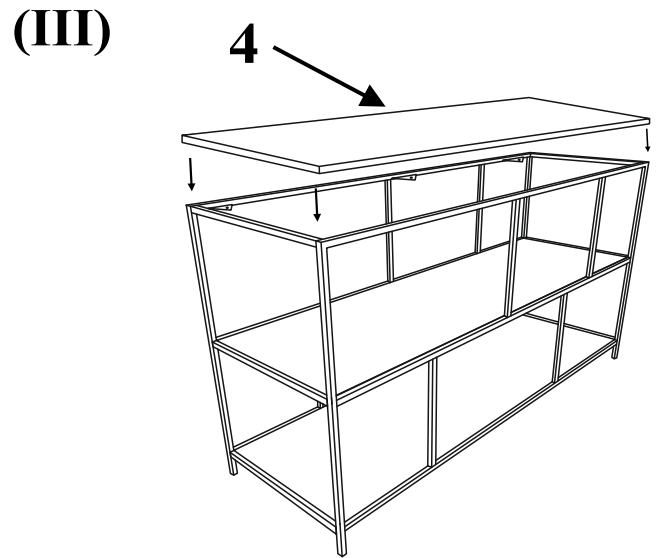
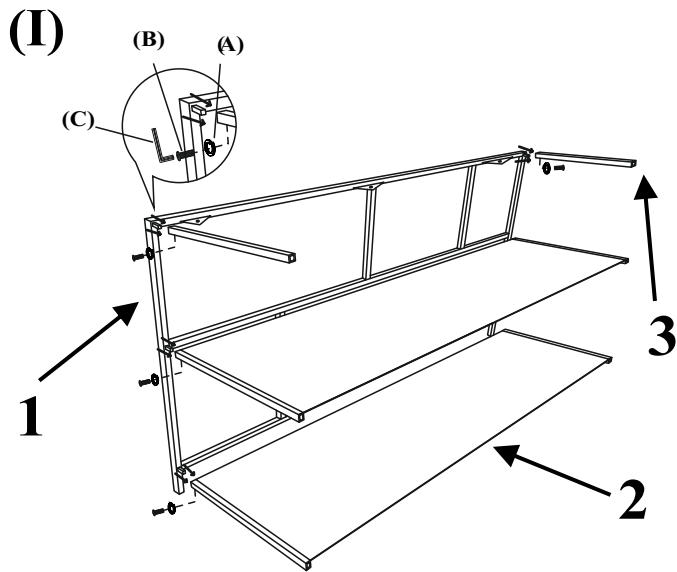
## ITEM NAME / NOM D'ITEM: SINGULARITY CONSOLE TABLE

ITEM # / NO.ITEM: 109487

### PARTS LIST / LISTE DES PIÈCES

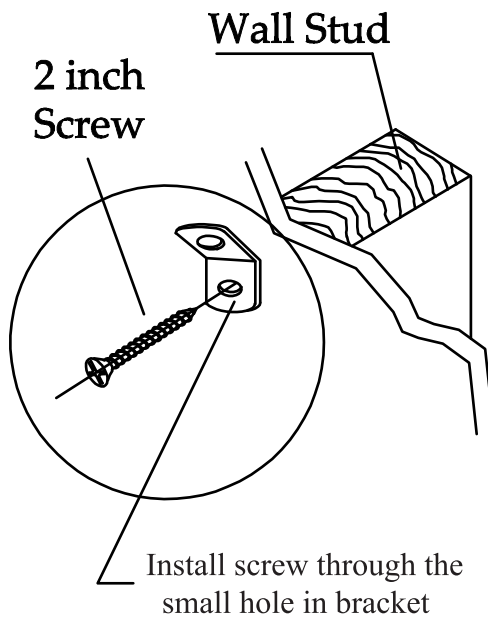
(1)	(2)	(3)	(4)	(5)			
				(A) 	(B) 	(C) 	(D) 
x2	x2	x2	x1	x12	x12	x1	x1

### ASSEMBLY INSTRUCTIONS / INSTRUCTIONS D'ASSEMBLAGE



To install the furniture tipping restraint:

1. Determine the approximate location where the console table will be placed. Locate a wall stud.
2. Attach one of the 'L' brackets to the wall stud using the 2" screw through the small hole in the 'L' bracket.
3. Position the console table, then install the strap around the back of console table and through the 'L' bracket as shown.



Install the strap through the 'L' bracket and around the back of console table

