



California Faucets®

Descanso™

STYLETHERM TRIM ONLY W/ SINGLE VOLUME CONTROL

Features

- All brass construction
- 100°F safety stop button with manual override
- Single integral volume control
- 7-1/4" round faceplate
- Less head, arm, flange and spout
- Engraved brass temperature ring
- Over 30 finishes including 15 PVD finishes

Codes/Standards Applicable

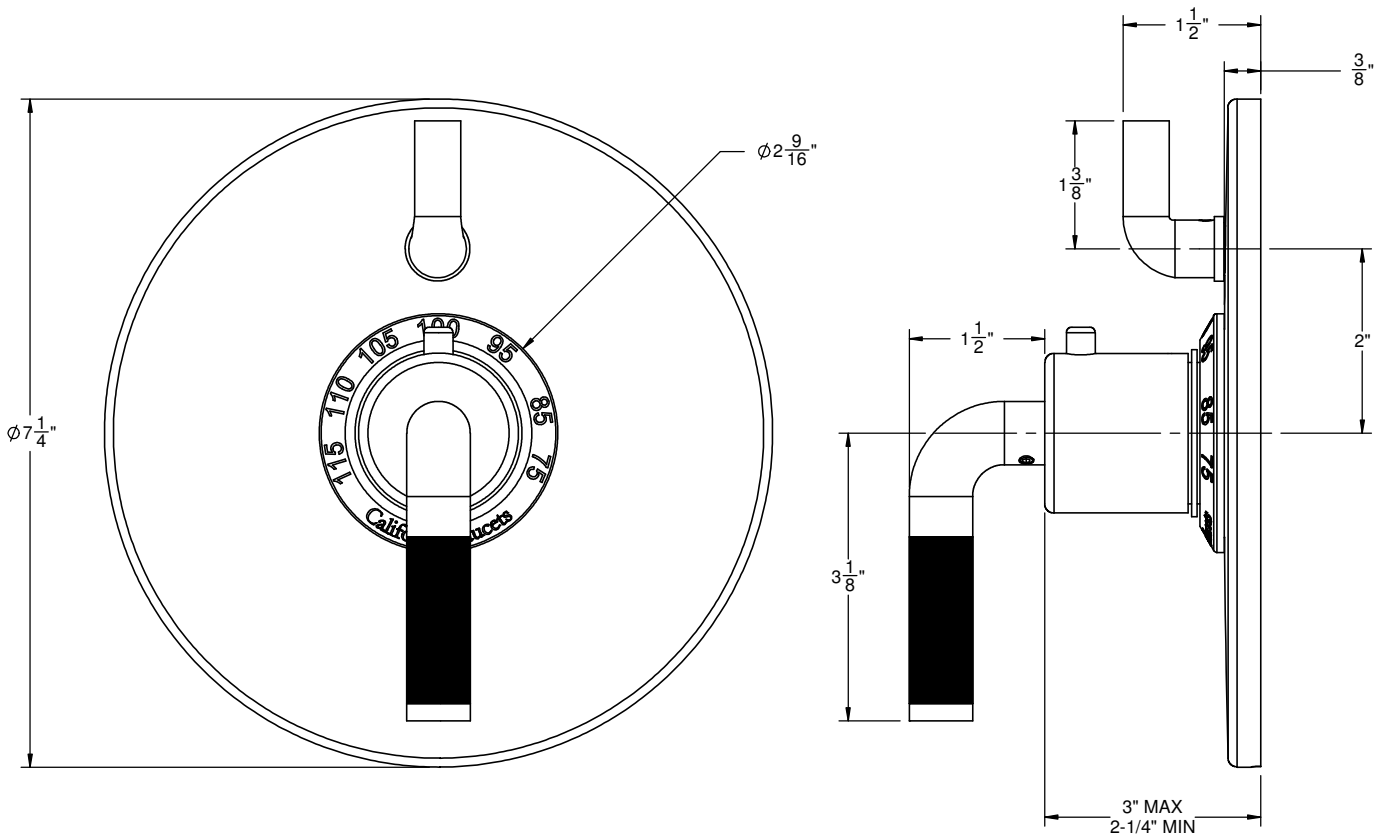
Product meets or exceeds the following:

- ASME A112.18.1/CSA B125.1
- ASSE 1016
- ADA compliant

**TO-TH1L-30K
TO-TH1L-30F**



(TO-TH1L-30K SHOWN)





California Faucets®

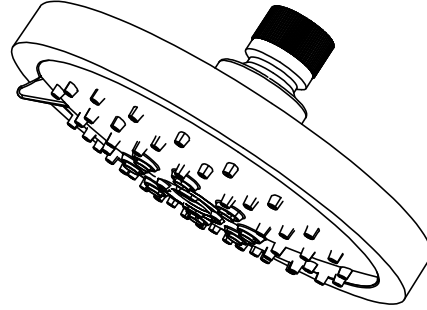
SHOWERHEAD

5-5/8" MULTI-FUNCTION CONTEMPORARY

Features

- 1/2" FIP inlet
- 3 function: rain, air & massage
- Self-cleaning rubber jets
- Solid brass pivot ball & body
- 5-5/8" diameter, gray face
- Over 30 finishes including 15 PVD finishes
- Replace .FR with desired max flow rate:
 - SH-083.25 for 2.5 gpm
 - SH-083.20 for 2.0 gpm
 - SH-083.18 for 1.8 gpm

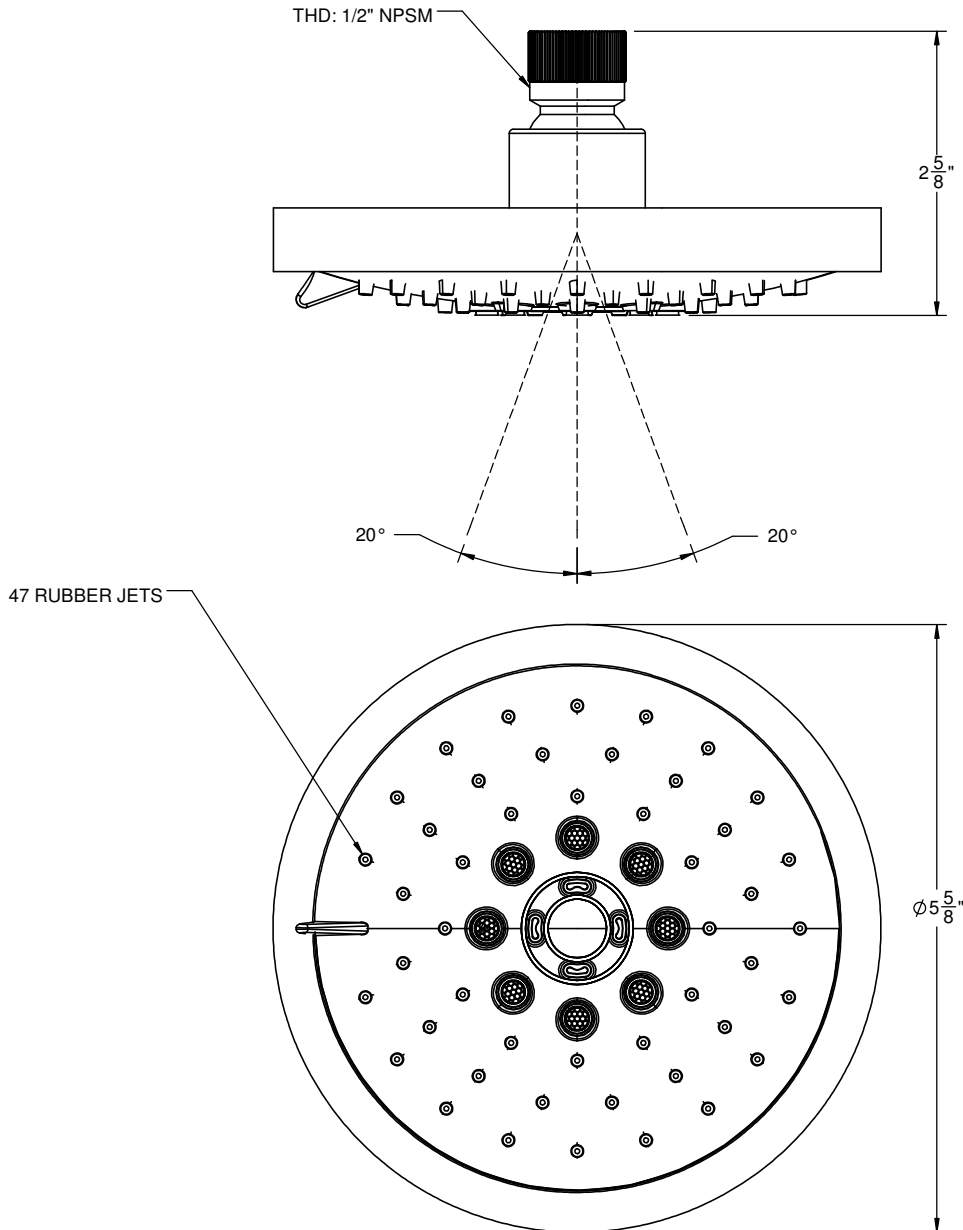
SH-083.25
SH-083.20
SH-083.18



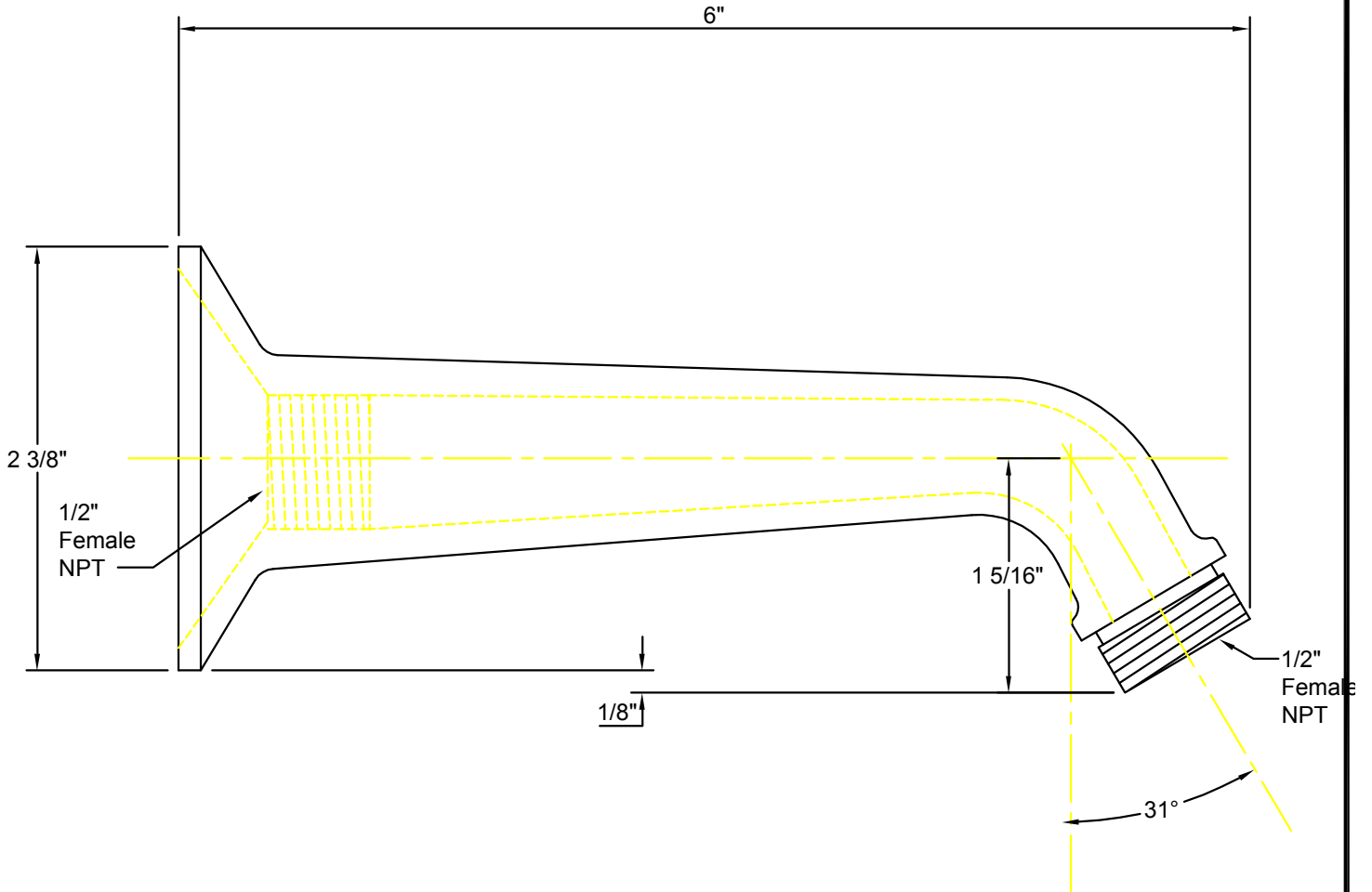
Codes/Standards

Product meets or exceeds the following:

- ASME A112.18.1/CSA B125.1
- CEC (1.8 gpm)
- DOE (2.5, 2.0, & 1.8 gpm)
- Commonwealth of MA
- EPA WaterSense Showerhead (2.0 gpm)



IMPORTANT:
All dimensions are + or -




California Faucets®
info@calfaucets.com
www.calfaucets.com

FIXTURE:
One Piece 6" Shower Arm

MODEL #: SH-01.6

DWG NO: .

REV:

REVISIONS	REV DATE	STARTING DATE:
		APPRVD DATE:
		APPRVD BY:
		SCALE: None
		DRAWN BY: William Linares william@calfaucets.com



California Faucets®

Descanso™

WALL TUB SPOUT

Features

- Maximum 6-7/16" wall to center
- Max flow rate: 16 gpm (60.6 L/m) at 60 psi
- For use with StyleTherm, 3-VR or 2-VR valves
- Solid brass construction
- Over 30 finishes including 15 PVD finishes

TS-30-30
TS-30K-30

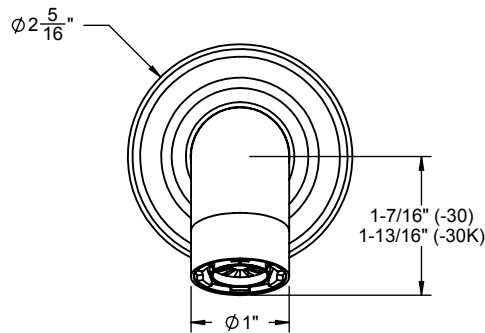
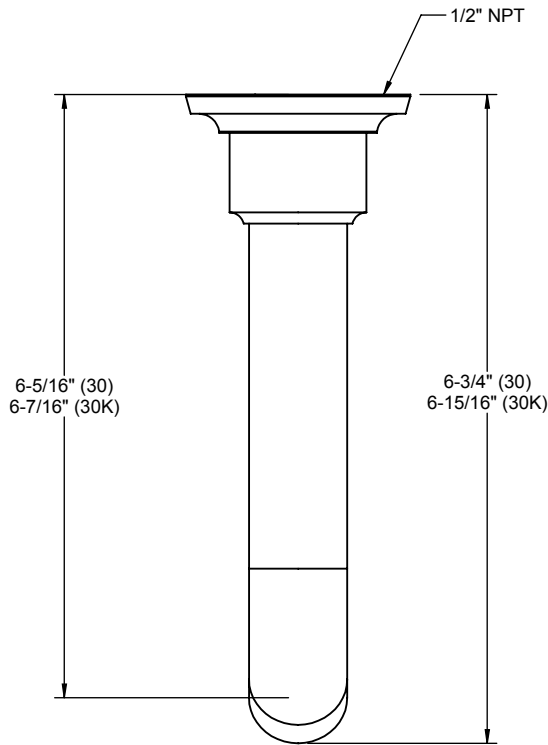


Codes/Standards

Product meets or exceeds the following:

- ASME A112.18.1/CSA B125.1

(TS-30K-30 SHOWN)



THROUGH-HOLE SPECIFICATIONS

	MIN	RECOMENDED	MAX
SPOUT: $\phi 1$ "		$\phi 1 \frac{1}{4}$ "	$\phi 1 \frac{9}{16}$ "