

SPECIFICATIONS – MicroTouch Control

Construction..... 6061 Billet Aluminum
 Display..... 16 LED Temperature Display
 Interface..... 3 Capacitive Touch Buttons
 Communication..... ThermaSol CAN Bus
 Supply Voltage..... 5V DC



Square Styling

Basic Functions:

- Recall last steam settings
- Turn steam system on or off
- Set desired steam shower temperature
- Operate PowerFlush™ cleaning system
- Diagnostic LEDs, display troubleshooting errors codes
- Patent Pending Infrared temperature sensing
- Smooth operation with capacitive touch technology (CTT)

Installation Notes:

The control should be installed 60" inches from the floor of the shower, inside the shower only, and away from the steam head.

Finish Chart:

Select desired finish and replace XX with code.

PC = Polished Chrome	PN = Polished Nickel
SC = Satin Chrome	SN = Satin Nickel
PB = Polished Brass	BN = Black Nickel
SB = Satin Brass	AN = Antique Nickel
AB = Antique Brass	PG = Polished Gold
COP = Polished Copper	ORB = Oil Rubbed Bronze
ACOP = Antique Copper	WHT = White
MB = Matte Black	

Product Specification:

The user interface control shall be 3.75" x 3.75" x 0.63" in dimension. The Control shall be made from billet aluminum and includes the ability to operate and control: Smart Steam and PowerFlush™ System, using 100% networked digital technology.

Shipping Information:

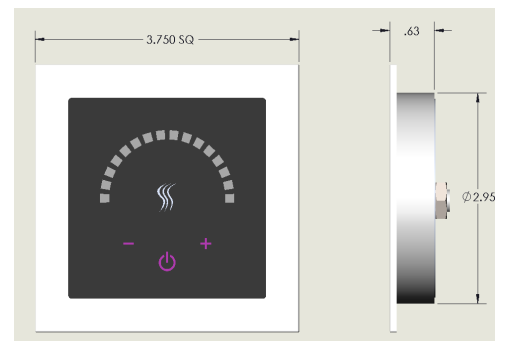
Weight..... 4 lbs.
 Length.....12 in.
 Width.....12 in.
 Height.....6 in.

Style Information:

The control is Modern Recessed.

The Square styling when installed is flush with wall within .10"

For any further assistance please contact ThermaSol at 800.776.0711 or sales@thermasol.com





SPECIFICATIONS – SteamVection Steam Head

Construction..... Brass
Aromatherapy..... Integral Reservoir

Installation Notes:

The steam head should be installed 24 inches from the floor, and 6 inches from any corner, inside the shower only, and as far away from the controller and shower fixtures as possible.

The steam head housing requires a 1-1/8" hole in the shower wall, and must be flush with the finished wall and sealed to the wall to not allow vapor or water behind it. Use 1/2" copper fittings to attach the housing to the steam outlet. See the full steam head housing instructions within your generator installation guide.

Product Specification:

The steam head shall be approximately 1.75" x 1.75" in the square version, and a 1.75" Dia. For the round version. The steam head is made from brass alloy and includes an aromatherapy well.

Finish Chart:

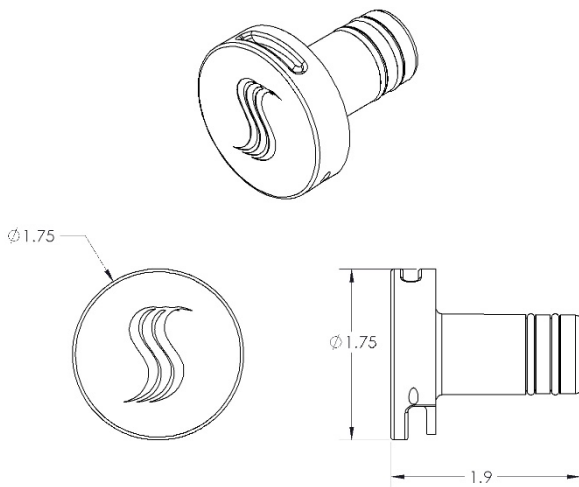
Select desired finish and replace XX with code. No-Touch Aromatherapy steam head and control finishes.

PC = Polished Chrome	PN = Polished Nickel
SC = Satin Chrome	SN = Satin Nickel
PB = Polished Brass	BN = Black Nickel
SB = Satin Brass	AN = Antique Nickel
AB = Antique Brass	PG = Polished Gold
COP = Polished Copper	ORB = Oil Rubbed Bronze
ACOP = Antique Copper	WHT = White
MB = Matte Black	

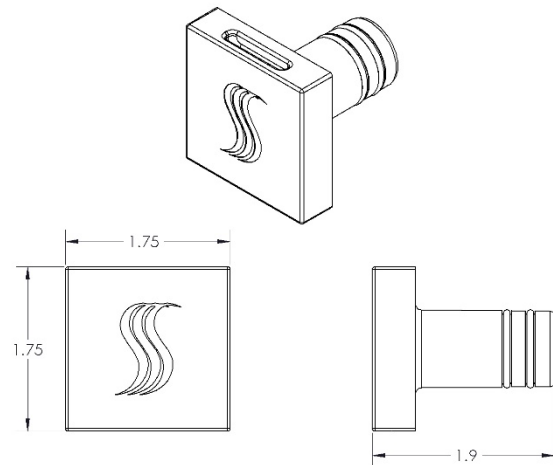
Shipping Information:

Weight..... 1 lbs.
Length.....9.5 in.
Width.....3.5 in.
Height.....2.5 in.

For any further assistance please contact
ThermaSol at 800.776.0711 or
sales@thermasol.com



Round Style



Square Style