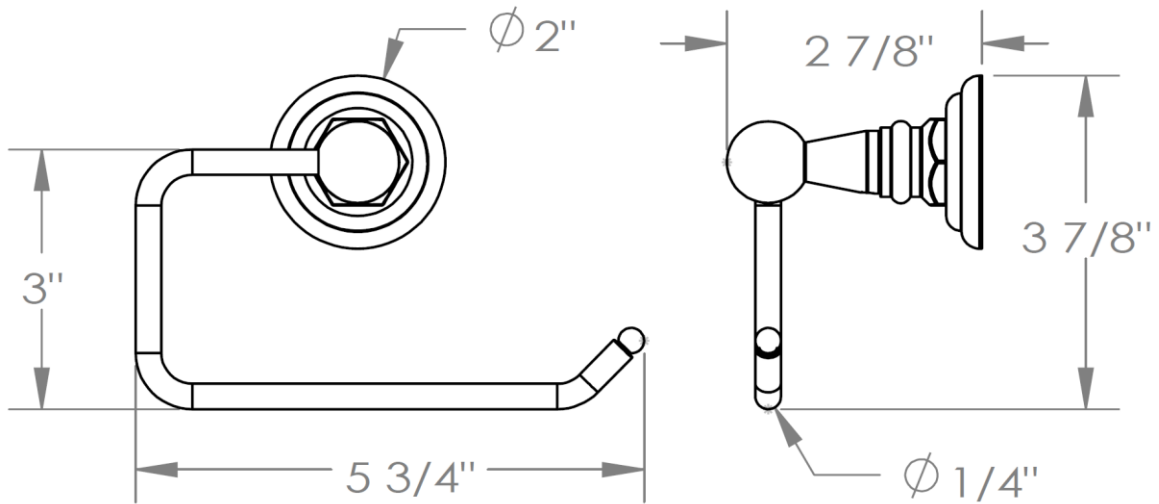


**322-0.4.1**  
Paper Holder



**WATERMARK** DESIGNS 1/21/2015